

PARTS CLEANING AIR SHOWERS

CAP701PT-ST



Quality construction

- Durable heavy-gauge painted steel
- High velocity and air volume rate for fast, efficient cleaning
- Inspection panels for high-pressure supply ducts

Easy electronics

- Microprocessor controller, touchscreen controls
- Magnetic interlocks
- LED lighting

Advanced filters and sealants

- Urethane sealant
- Standard-size HEPA filters and prefilters
- Zero-leak, negative-pressure reliability seal on HEPA filter gasket

Optimal configuration

- Easy service access
- Customization options

For a full description see the
CAP air showers brochure.

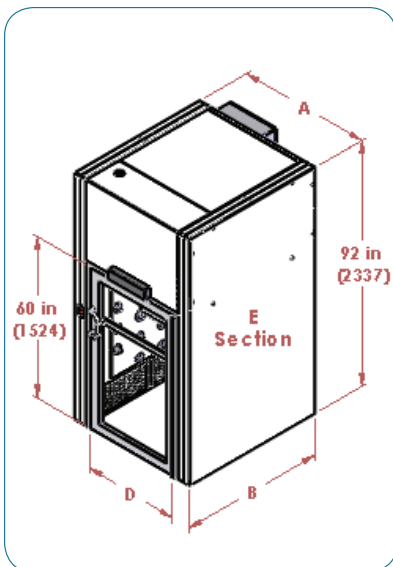
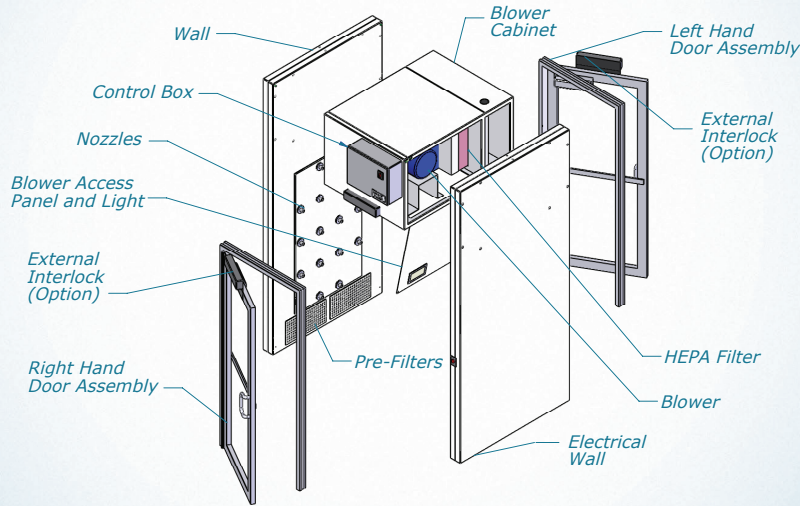


CAP701PT-ST parts-cleaning straight-through air showers efficiently remove particles from pallets, conveyors, carts and continuous-part operations before they enter a secure-atmosphere facility.

CAP701PT air showers can be custom-designed and ordered in a variety of configurations. This style of air shower can use swing doors, vertical-sliding, horizontal sliding, or no doors at all. Please consult the factory with details of your specific application.

Clean Air Products parts-cleaning air showers feature rugged construction and adjustable, high velocity air jets. The 16-gauge painted steel shell (*stainless steel* optional) with heavy-duty glass door and door closer withstand the rigors of shipping, installation and daily use. Steel construction reduces the chances of biological growth and contamination.

A powerful 3-phase 5 HP blower motor provides approximately 1900 CFM at 7800 LFM. This high air-flow volume (power) combined with the high nozzle velocity (force) quickly and efficiently clean personnel inside the air shower.



PRODUCT DIMENSIONS: inches (mm) (Common sizes – additional sizing available)					
Model Number	A Outside width	B Outside depth	D Door width	Qty of E 54 in. sections	Qty of E 72 in. sections
CAP701PT-ST-4954	49.75 (1264)	54 (1372)	36 (914)	1	0
CUSTOM SIZES AVAILABLE UPON REQUEST					

LEARN MORE

Clean Air Products designs the CAP701 Series air showers for optimal performance, customization, configuration and maintenance. For more information on CAP701 Series air showers including CAD drawings, RFQs, purchase specifications, exploded views and options, visit:

www.cleanairproducts.com/product-category/air-showers



www.cleanairproducts.com

8605 Wyoming Ave. N. • Minneapolis, Minnesota 55445

763.425.9122 • 800.423.9728 • fax: 763.425.2004

e-mail: sales@cleanairproducts.com