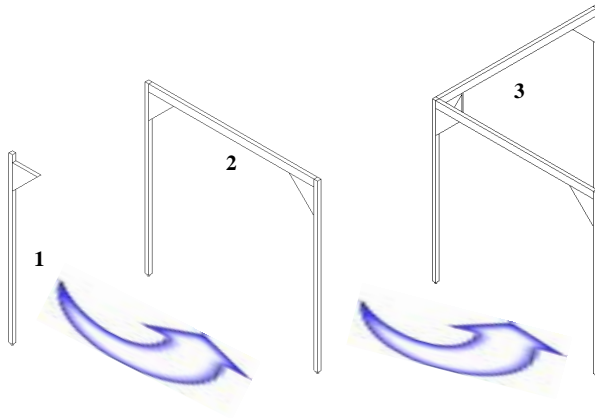
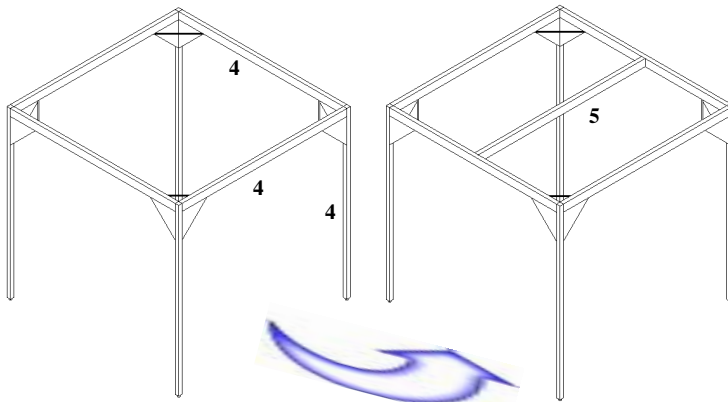


The footprint of a CAP577 Softwall Cleanroom is configured in 2ft nominal increments

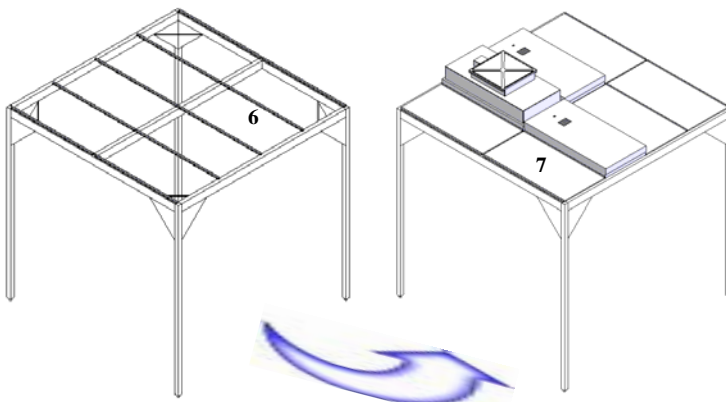


1. Choose a leg height. 8 and 10ft are standard sizes.
2. Choose a Side Beam. 4, 6, 8, 10, and 12ft are standard sizes.
3. Choose an End Beam. 4, 6, 8, 10, and 12ft are standard sizes.

Note: Custom length beams and legs are available at additional cost

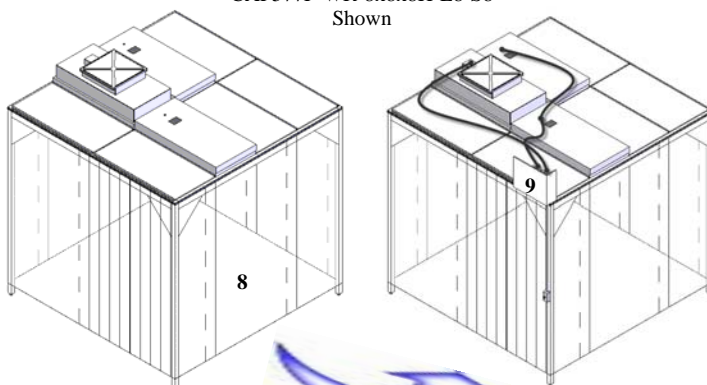


4. Complete the perimeter by mirroring the components used previously.
5. Add Center Beam(s) attached to the Side Beams every 4ft as needed.



6. Add 4ft T-bars between the Center Beams and End Beams to complete the ceiling grid.
7. Add filters, lights, and ceiling panels to complete the ceiling.

CAP577F-WR-8x8x8H-E8-S8
Shown



8. Add curtains and optional strip door(s) to complete the room.
9. Add optional prefab wiring kit.