



Leg levelers are removed when anchoring bench to the floor

# Series 63

## Gowning Bench

### Features

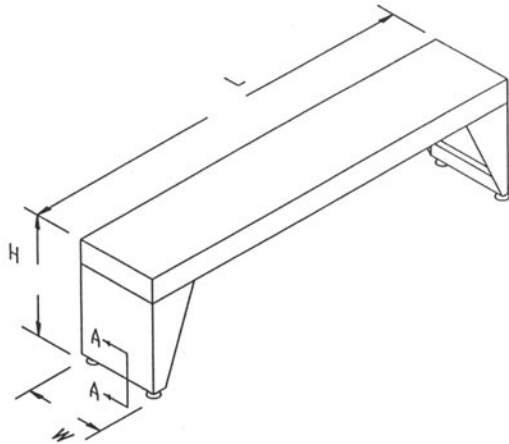
- ❖ 16 gauge stainless steel frame and gussets
- ❖ Adjustable leg leveling glides
- ❖ Can be floor mounted
- ❖ Optional underneath storage compartments with polypropylene dividers for boots, etc.

# Series 63 Gowning Bench

CLEAN ROOM FURNITURE

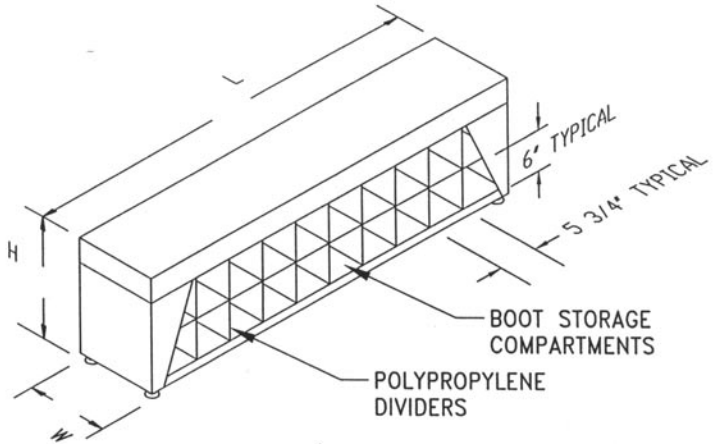
**STANDARD ITEMS:**

16 GAUGE STAINLESS STEEL FRAME AND GUSSETS.  
ADJUSTABLE LEG LEVELING GLIDES.



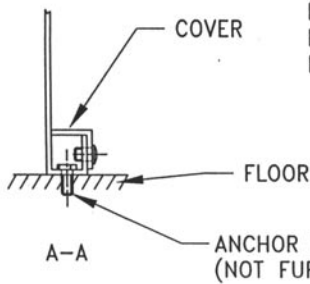
**STANDARD ITEMS:**

16 GAUGE STAINLESS STEEL FRAME AND GUSSETS.  
ADJUSTABLE LEG LEVELING GLIDES.  
UNDERNEATH STORAGE SPACES.



BOOT STORAGE COMPARTMENTS  
POLYPROPYLENE DIVIDERS

Optional stainless steel dividers



BENCH CAN REST ON LEG LEVELING GLIDES OR BE FLOOR MOUNTED.

L	NO. OF COMP.
3	10
4	14
5	18
6	22
8	30

**Guarantee**

A written 1 year warranty is furnished with each gowning bench.

Specifications subject to change. Please contact factory for details.



**Solutions Built to Your Specifications.**

8605 Wyoming Ave. N. • Minneapolis MN 55445

tel: 763.425.9122 800.423.9728 fax: 763.425.2004

e-mail: sales@cleanairproducts.com [www.cleanairproducts.com](http://www.cleanairproducts.com)